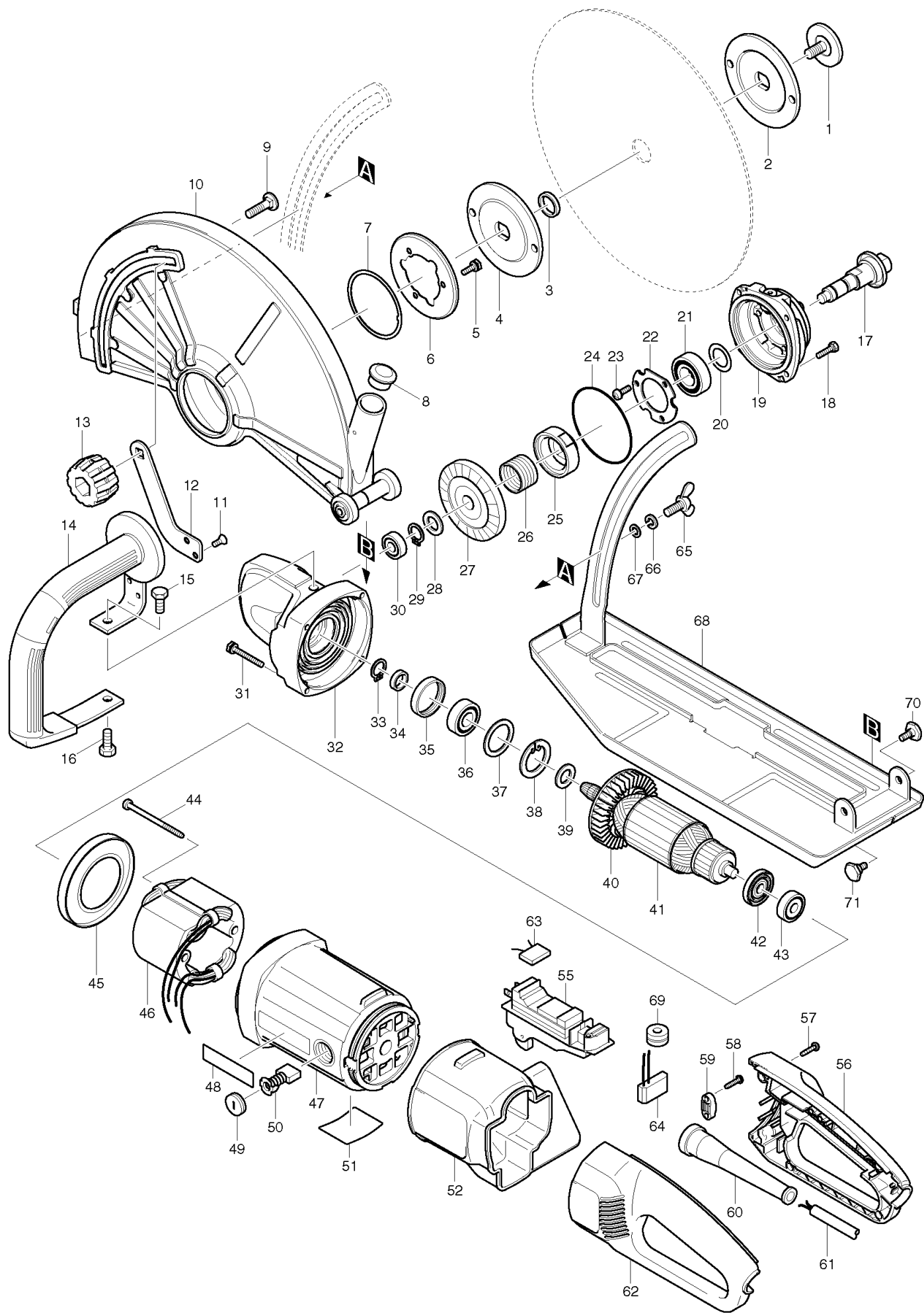


Nr.	Art nr.	Namn
1	265265-3	HEX. BOLT M10X25
2	224184-2	INNER FLANGE 100
3	257054-0	RING 20
4	224184-2	INNER FLANGE 100
5	925216-5	+ HEX. BOLT M5X14
6	345269-2	PRESSURE PLATE
7	341853-1	PLATE B
8	286289-6	CAP 32
9	265845-5	CAP SQUARE NECK BOLT M8X30
10	125336-7	WHEEL COVER ASS'Y
11	912202-5	COUNTERSUNK HEAD SCREW M5X8
12	345291-9	LOCK PLATE
13	252648-6	THUMB NUT M8
14	273655-6	GRIP
15	921432-7	HEX. BOLT M8X20
16	921432-7	HEX. BOLT M8X20
17	153541-6	SPINDLE COMPLETE
18	265502-5	+ HEX. BOLT M5X20
19	153539-3	BEARING BOX COMPLETE
20	267041-1	FLAT WASHER 20
21	211326-7	BALL BEARING 6004DDW
22	285708-9	BEARING RETAINER 50
23	911221-8	PAN HEAD SCREW M5X16
24	213757-6	O RING 80
25	331644-8	LOCK SLEEVE
26	233922-1	LOCK SPRING 24
27	227439-4	SPIRAL BEVEL GEAR 57
28	267251-0	FLAT WASHER 15
29	961055-9	RETAINING RING S-15
30	211061-7	BALL BEARING 6000LLB
31	925261-0	+ HEX. BOLT M5X40
32	153542-4	GEAR HOUSING COMPLETE
33	961055-9	RETAINING RING S-15
34	257053-2	RING 15
35	262554-7	RUBBER RING 36
36	211228-7	BALL BEARING 6202DDW
37	267250-2	FLAT WASHER 30
38	962157-4	RETAINING RING R-40
39	267251-0	FLAT WASHER 15
41	516868-9	ARMATURE ASS'Y 220-240V
42	681630-2	INSULATION WASHER
43	211087-9	BALL BEARING 6200DDW
44	266059-9	TAPPING SCREW 5X75
45	416131-9	BAFFLE PLATE
46	626129-0	FIELD 230V
47	183564-0	MOTOR HOUSING
48	819064-1	MAKITA MARK
49	643710-2	BRUSH HOLDER CAP

50	191957-7	Hiilet CB-204
51	862177-7	4114S NAME PLATE
52	421831-8	DUST COVER
55	651178-8	SWITCH 1362.0112
56	183615-9	HANDLE SET
57	266045-0	TAPPING SCREW 4X20
58	265995-6	TAPPING SCREW 4X18
59	687053-2	STRAIN RELIEF
60	682560-0	CORD GUARD 10
61	695107-1	POWER SUPPLY CORD 1.5-2-2.5
62	183615-9	HANDLE SET
63	645200-1	NOISE SUPPRESSOR
64	631553-4	SOFT START CIRCUIT
65	924426-1	WING BOLT M8X20
66	942201-3	SPRING WASHER 8
67	941201-0	FLAT WASHER 8
68	165431-1	BASE
69	688131-1	Suodatin
70	265557-0	SHOULDER HEX. BOLT M6
71	265557-0	SHOULDER HEX. BOLT M6



Nr.	Art nr.	Namn
1	265265-3	HEX. BOLT M10X25
2	224184-2	INNER FLANGE 100
3	257054-0	RING 20
4	224184-2	INNER FLANGE 100
5	925216-5	+ HEX. BOLT M5X14
6	345269-2	PRESSURE PLATE
7	341853-1	PLATE B
8	286289-6	CAP 32
9	265845-5	CAP SQUARE NECK BOLT M8X30
10	125336-7	WHEEL COVER ASS'Y
11	912202-5	COUNTERSUNK HEAD SCREW M5X8
12	345291-9	LOCK PLATE
13	252648-6	THUMB NUT M8
14	273655-6	GRIP
15	921432-7	HEX. BOLT M8X20
16	921432-7	HEX. BOLT M8X20
17	153541-6	SPINDLE COMPLETE
18	265502-5	+ HEX. BOLT M5X20
19	153539-3	BEARING BOX COMPLETE
20	267041-1	FLAT WASHER 20
21	211326-7	BALL BEARING 6004DDW
22	285708-9	BEARING RETAINER 50
23	911221-8	PAN HEAD SCREW M5X16
24	213757-6	O RING 80
25	331644-8	LOCK SLEEVE
26	233922-1	LOCK SPRING 24
27	227439-4	SPIRAL BEVEL GEAR 57
28	267251-0	FLAT WASHER 15
29	961055-9	RETAINING RING S-15
30	211061-7	BALL BEARING 6000LLB
31	925261-0	+ HEX. BOLT M5X40
32	153542-4	GEAR HOUSING COMPLETE
33	961055-9	RETAINING RING S-15
34	257053-2	RING 15
35	262554-7	RUBBER RING 36
36	211228-7	BALL BEARING 6202DDW
37	267250-2	FLAT WASHER 30
38	962157-4	RETAINING RING R-40
39	267251-0	FLAT WASHER 15
41	516868-9	ARMATURE ASS'Y 220-240V
42	681630-2	INSULATION WASHER
43	211087-9	BALL BEARING 6200DDW
44	266059-9	TAPPING SCREW 5X75
45	416131-9	BAFFLE PLATE
46	626129-0	FIELD 230V
47	183564-0	MOTOR HOUSING
48	819064-1	MAKITA MARK
49	643710-2	BRUSH HOLDER CAP

50	191957-7	Hiilet CB-204
51	862177-7	4114S NAME PLATE
52	421831-8	DUST COVER
55	651178-8	SWITCH 1362.0112
56	183615-9	HANDLE SET
57	266045-0	TAPPING SCREW 4X20
58	265995-6	TAPPING SCREW 4X18
59	687053-2	STRAIN RELIEF
60	682560-0	CORD GUARD 10
61	695107-1	POWER SUPPLY CORD 1.5-2-2.5
62	183615-9	HANDLE SET
63	645200-1	NOISE SUPPRESSOR
64	631553-4	SOFT START CIRCUIT
65	924426-1	WING BOLT M8X20
66	942201-3	SPRING WASHER 8
67	941201-0	FLAT WASHER 8
68	165431-1	BASE
69	688131-1	Suodatin
70	265557-0	SHOULDER HEX. BOLT M6
71	265557-0	SHOULDER HEX. BOLT M6